

# + INSTALLATION, OPERATION AND MAINTENANCE MANUAL

## idealtch PRIME CONTROL PANEL

For Users Guide see reverse of book

When replacing any part on this appliance, use only spare parts that you can be assured conform to the safety and performance specification that we require. Do not use reconditioned or copy parts that have not been clearly authorised by Ideal.

**For the very latest copy of literature for specification and maintenance practices visit our website [www.idealcommercialboilers.com](http://www.idealcommercialboilers.com) where you can download the relevant information in PDF format.**



RIELLO S.p.A.

Via Ing. Pilade Riello, 7  
37045 Legnago (VR)  
Tel. +39 0442630111

RIELLO S.p.A.  
Società con Socio unico soggetta alla  
direzione e coordinamento di Riello Group SPA  
Sede legale e amministrativa  
37045 Legnago (VR)  
Via Ing. Pilade Riello, 7  
Cap. soc. € 7.117.400,00 i.v.  
Reg. delle Imp. di Verona N. 02641790239  
C.F. e Part. IVA 02641790239

Lecco, 18th January 2012

The company

**Riello SpA Heating Products Direction  
Via Risorgimento 13  
23900 Lecco  
ITALY**

hereby declares that the control panels bearing the brand: **RIELLO**

models:

**idealtech PRIME,**

conform to European Directive 2004/108/EC (Electromagnetic Compatibility), to European Directive 2006/95/EC (Low Voltage) and to the following European standards:

EN 60730-1:2000	Automatic electrical controls for household and similar use.
EN 60730-2-9:2000	Part 2: Particular requirements for temperature sensing controls.
EN 60529:1992	Specification for degrees of protection provided by enclosures (IP code).
EN 61000-6-2:2001	Electromagnetic compatibility. Immunity per industrial environments.
EN 61000-6-3:2001	Electromagnetic compatibility. Emission standard for residential, commercial and light-industrial environments.

  
Marco Tagliaferri  
Heating Products Director  
Riello S.p.A.

Dear heating engineer,

Congratulations on having chosen a **idealtech** control panel. You have selected a quality product that is designed to give dependable, efficient and safe service and to provide comfort in the home for many years to come. This manual provides information that is essential to the installation of the appliance. Used in conjunction with your own knowledge and expertise it will enable you to install the appliance quickly, easily, and correctly.

Once again, please accept our thanks and our congratulations on your choice of product.

*ideal Boilers Limited.*

---

**RANGE**

<b>MODEL</b>	<b>UIN</b>
idealtech PRIME	212647

## CONTENTS

---

General Safety Information	5
Precautions	5
Product description	6
Identification	6
Technical specifications	7
Accessories	7
Unpacking the product	8
Dimensions and weight	8
Installation	9
Accessing internal components	11
Electrical connections	12
Positioning the sensors	13
Wiring diagrams	14
Layout	15
Description of functions	16
Useful information	17

The following symbols are used in this manual:








= Identifies actions that require caution and adequate preparation










= Identifies actions that you MUST NOT do

## GENERAL SAFETY INFORMATION

-  Check that the product is complete and undamaged as soon as you remove it from its packaging. Contact the reseller from whom you purchased the product if you notice any problems.
-  This product must be installed by a legally competent person. On completion of the installation, the installer must issue the owner with a declaration of conformity confirming that the installation has been completed to the highest standards in compliance with the instructions provided by ideal in this instruction manual, and that it conforms to all applicable laws and standards.
-  This control panel is designed and made for use with boilers generating hot water up to 110°C, and must be used exclusively for this purpose and within its specified performance limits.
-  The manufacturer declines all responsibility, contractual or other, for damage to property or injury to persons or animals caused by improper installation, adjustment, maintenance or use.
-  This instruction manual is an integral part of the product. It must be kept safe and must ALWAYS accompany the product, even if it is sold to another owner or transferred to another user or to another installation. If you damage or lose this manual, or to obtain the latest copy, a replacement may be obtained by calling the Helpline or Online. Details available on the back cover of this manual.

## PRECAUTIONS

The operation of any appliance that uses electrical power demands that a number of fundamental safety precautions be respected. In particular:

-  Always turn the electrical power supply OFF at the main switch before commencing any cleaning or maintenance.
-  Do not tamper with or adjust the safety or control devices without prior authorisation and instructions from the boiler's manufacturer.
-  Never pull, disconnect, or twist the electrical cables coming from the appliance even if it is disconnected from the mains electricity supply.
-  Dispose of packaging materials in compliance with applicable standards and legislation governing the disposal of urban, domestic and industrial waste.
-  Never switch the control panel on even for a short period if the safety devices are not functioning correctly or have been tampered with.
-  All maintenance and repairs must be carried out by a legally competent person.
-  Do not use water to extinguish fire in the control panel. Switch power OFF at the mains power switch to isolate the control panel electrically first. Then use a class E fire extinguisher (marked "SUITABLE FOR LIVE ELECTRICAL ITEMS") to extinguish the flames.



## TECHNICAL SPECIFICATIONS

Description	idealtch PRIME	
Power supply	230 (+/-10%) ~ 50	V ~ Hz
Maximum current draw	6,3	A
Main power switch (two pole)	250 ~ 10(4)	V ~ A
Fuse	250 ~ 6,3 T	V ~ A
Power consumption	-	W
Function indicators	230	V
Manual reset safety thermostat (TS) (*)	110 (+0/-6)	°C
Control thermostat (TR) field of adjustment	30 ÷ 82 (+/-3)	°C
Minimum temperature thermostat (Tm)		
control range	30 ÷ 90 (+/-3)	°C
working setting	40	°C
Boiler temperature gauge (TeC)	0 ÷ 120	°C
Index of protection	X4D	IP
Cable length	3	m

(\*) Homologated

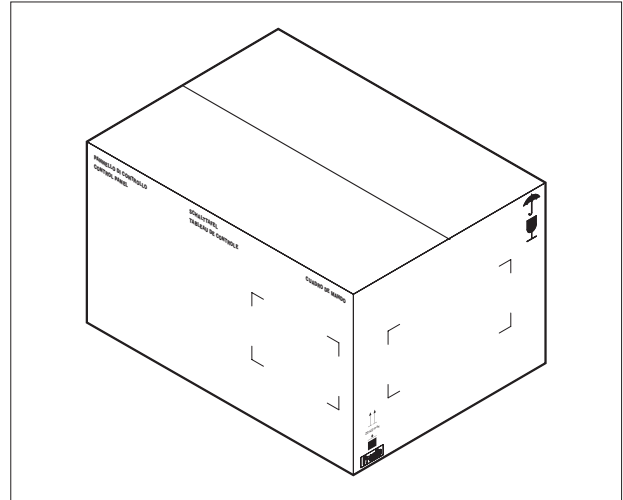
## ACCESSORIES

The following accessories are available, to be ordered separately:

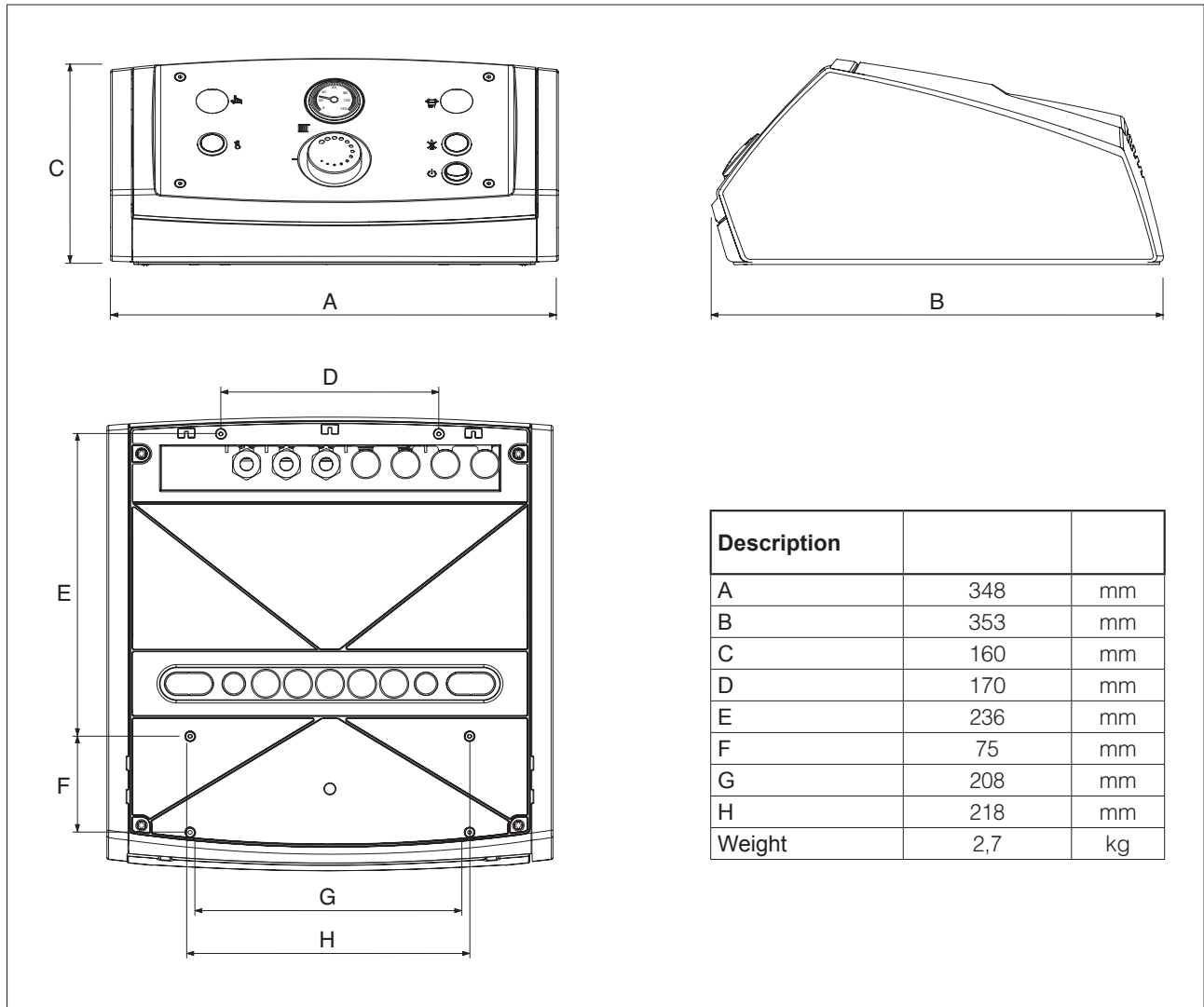
ACCESSORY	UIN
Two-stage burner control kit	212644
Return Water Temperature Control Kit	215475

## UNPACKING THE PRODUCT

**idealtech PRIME** control panels come in a cardboard box that also contains the instruction manual.

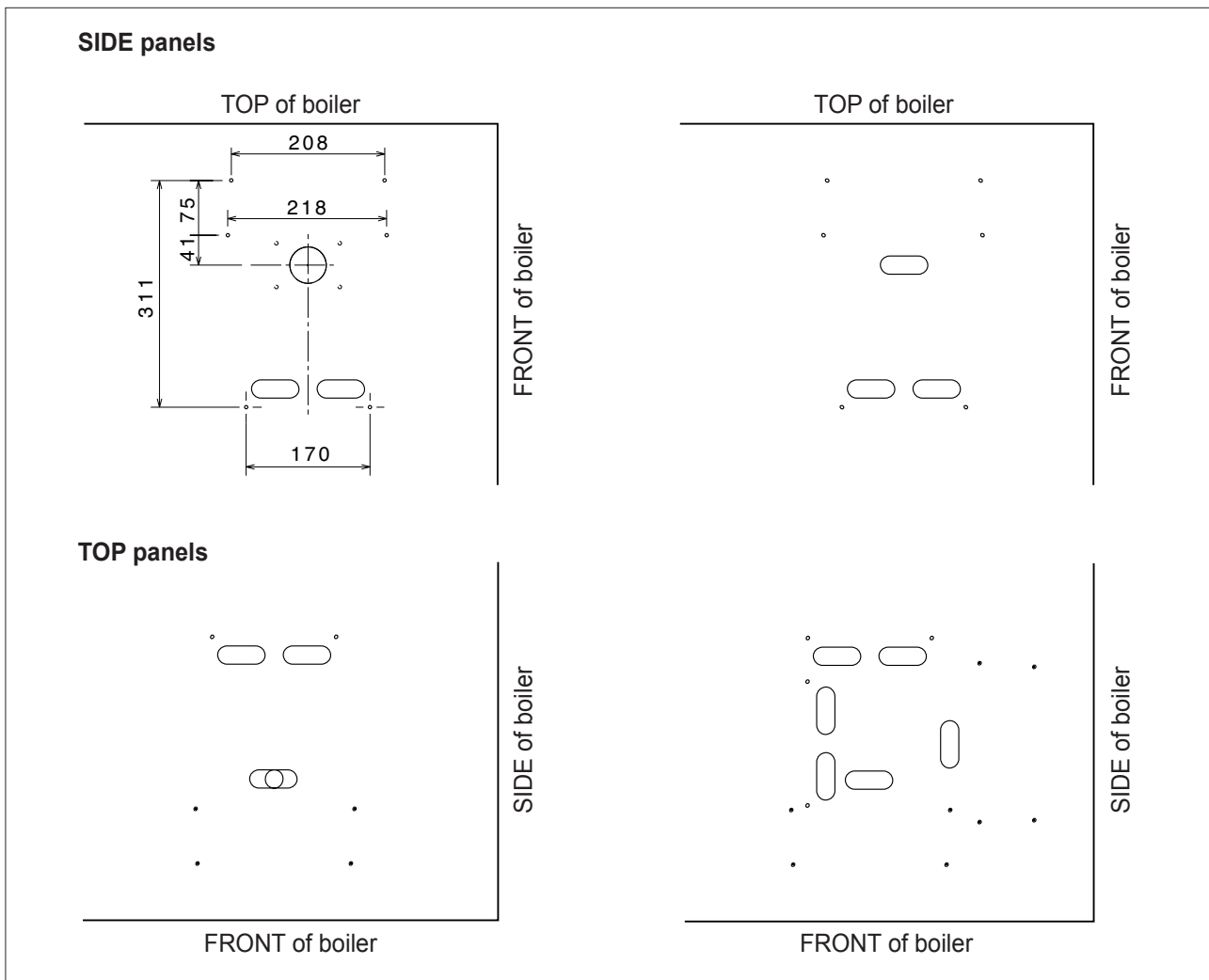


## DIMENSIONS AND WEIGHT





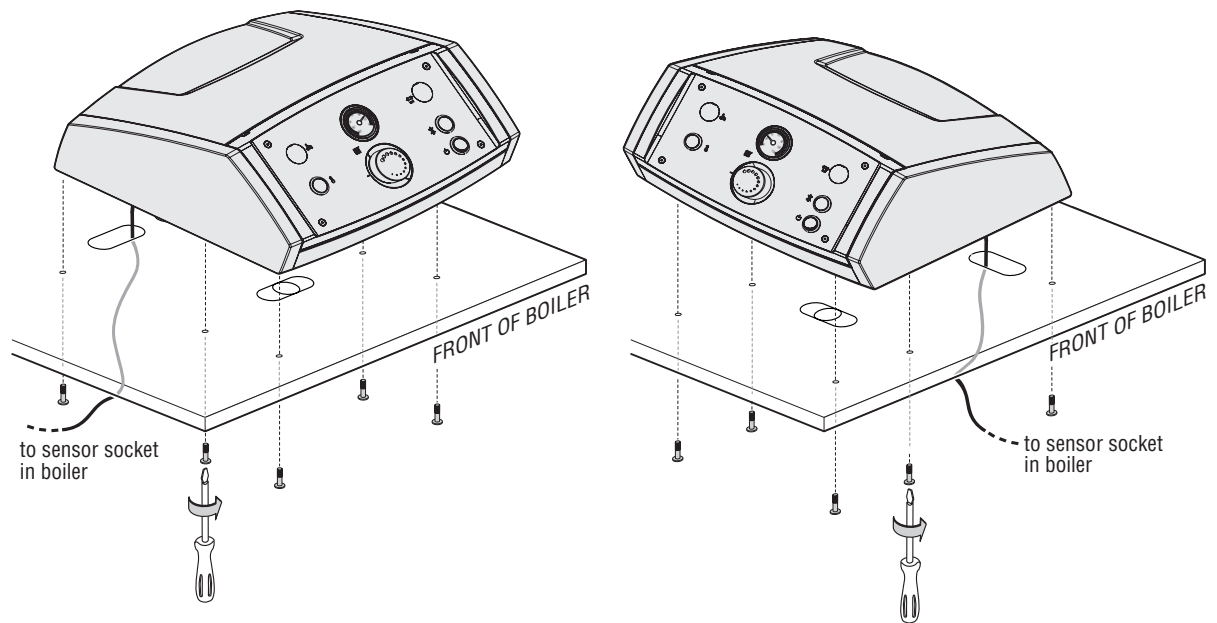
**idealtech PRIME** control panels can be installed either on the top of the boiler or on one of its side panels. Before commencing installation, check the arrangement of the holes on the top panel or side panel of the boiler.



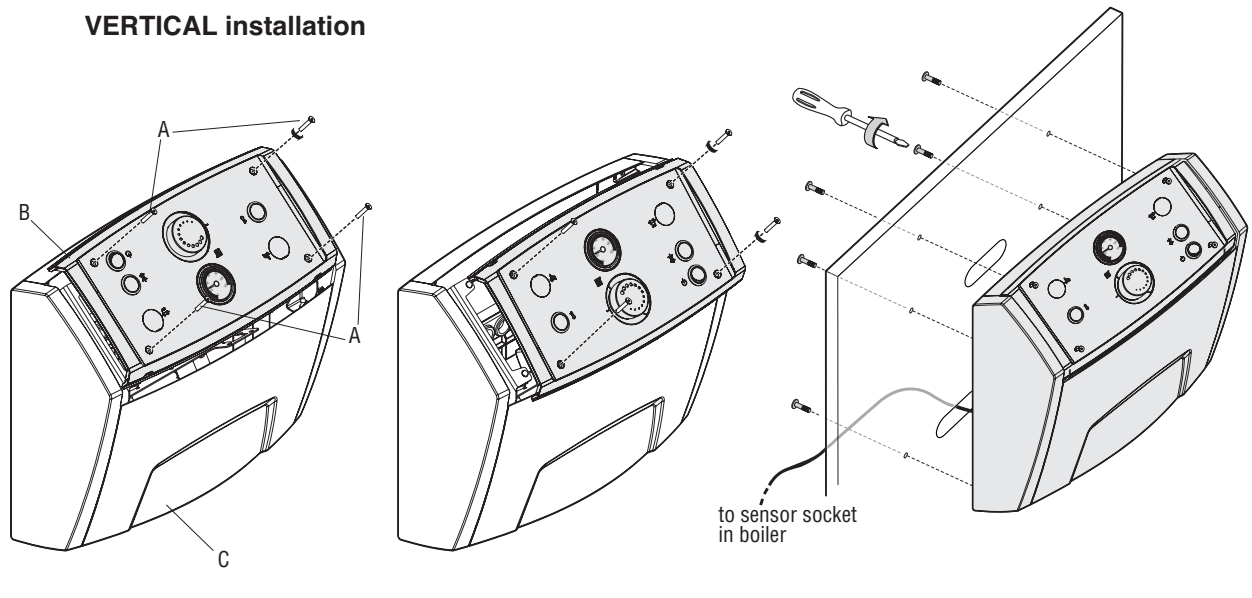
Once you have identified the right holes for the type of installation required, proceed as follows:

- Push out the pre-formed slots on the boiler casing corresponding to the oval cable grommets in the control panel
- Perforate the membranes of the control panel cable grommets. Pull out the thermostat cable and route it through the slot in the top panel
- Secure the control panel to the boiler casing.

## HORIZONTAL installation




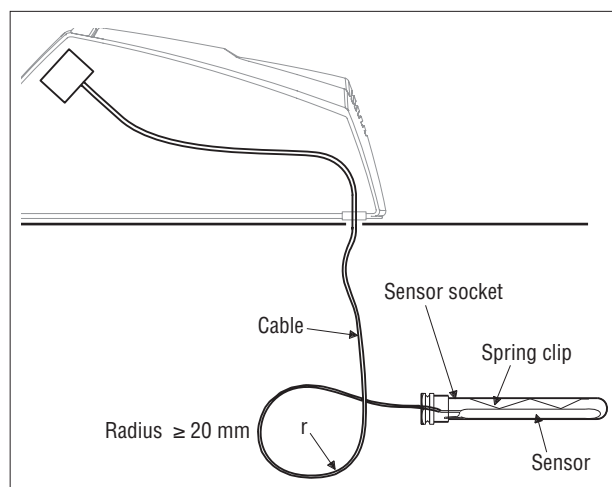
## VERTICAL installation



Before you can install the control panel on a boiler side panel, proceed as follows:

- Remove the 4 screws (A).
- Remove the front trim (B), turn it through 180°, and fit it back on the body of the control panel (C).
- Install the control panel as instructed above.

 Carefully unwind the thermostat cables and route them through the relevant grommets. Insert the thermostat sensors in the corresponding sockets in the boiler. Fix the sensors securely in place. Use the cable straps provided to secure the sensor cables.

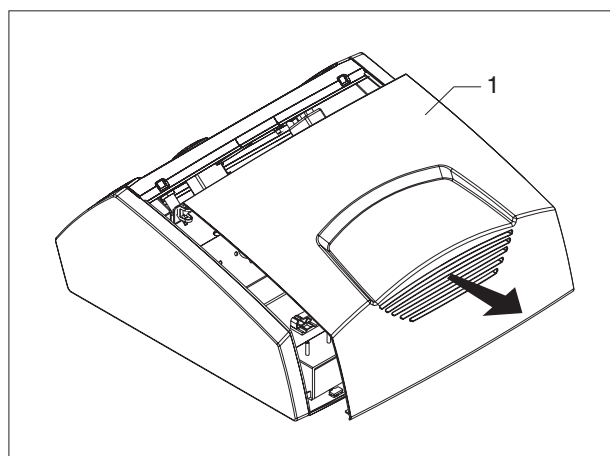


## ACCESSING INTERNAL COMPONENTS

Only legally competent persons are allowed to access components inside the control panel.

Proceed as follows if you need to access components inside the control panel:

- Turn the system OFF at the mains power switch
- Remove the top panel (1) by pulling it outwards.



## ELECTRICAL CONNECTIONS

All electrical connections must be made by a legally competent person.

**!** The following instructions are mandatory:

- 1 - Use a single pole MCB conforming to IEC-EN standards (with a contact gap of at least 3 mm);
- 2 - Respect the L (Phase) - N (Neutral) polarity. Keep the Protective Earth (PE) wire about 2 cm longer than the power wires.
- 3 - Use cables with a cross section of 1.5 mm<sup>2</sup> or more, complete with ferrules.
- 4 - Always refer to the electrical wiring diagrams in this manual when performing any electrical work.
- 5 - Make sure the appliance is connected to an effective ground.

- Proceed as instructed in the "ACCESSING INTERNAL COMPONENTS" section above to access the terminals inside the control panel.
- Route the connection cables through the cable grommets in the casing of the boiler or secured by the side mounting bracket. Alternatively, use the holes provided for cable glands or spiral sleeving. To use these holes, push out the pre-formed hole covers in the corresponding positions on the control panel.
- See the "WIRING DIAGRAMS" section for information on how to connect up the individual devices.

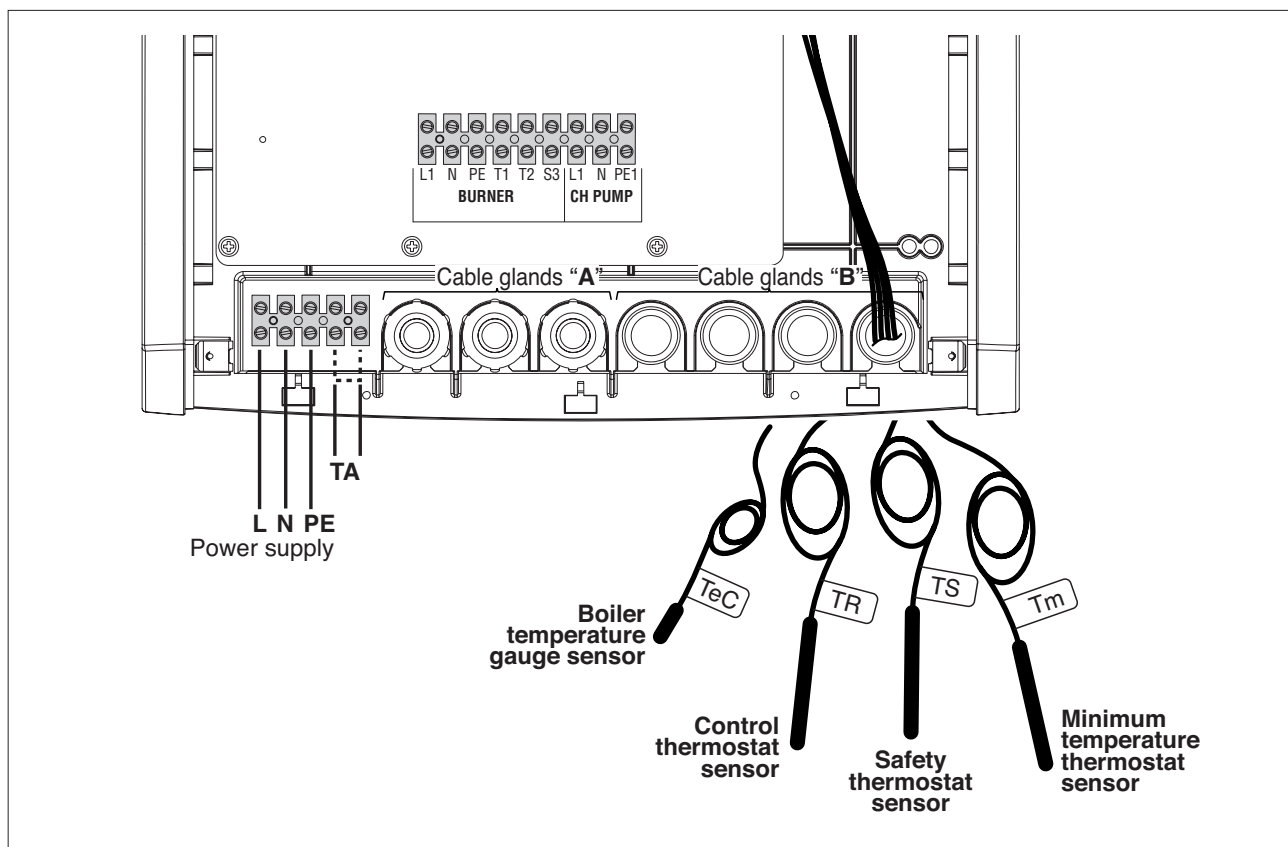
- Tighten the screws on the cable clamps and screw up the cable glands to secure the cables against pulling. Secure the cables to the casing of the boiler as necessary.

**!** Use the terminals provided to connect all 230 V power users to ground.

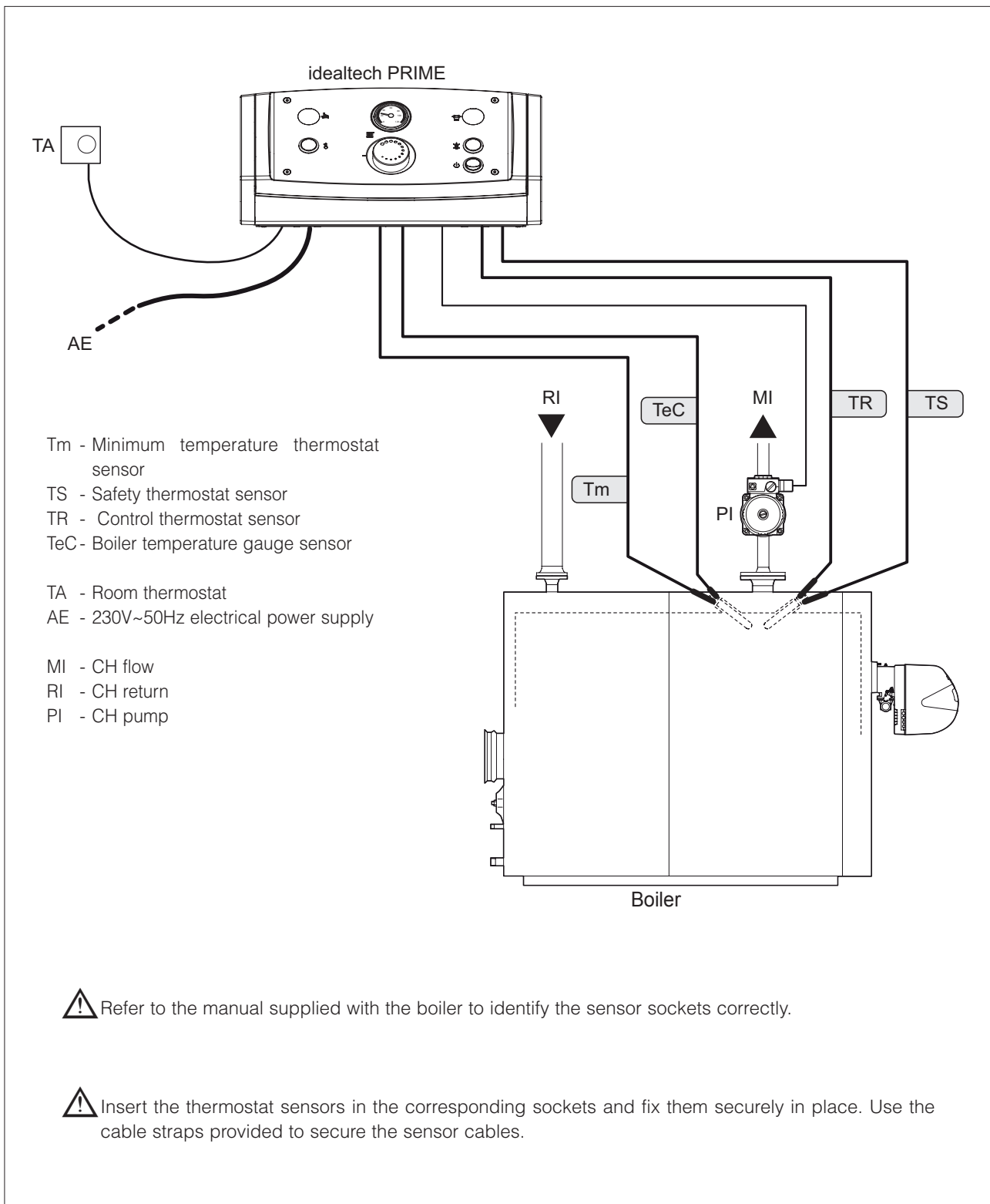
**—** It is strictly forbidden to use gas and/or water pipes to ground the appliance.

**—** Do not route the power cable or room thermostat cables near hot surfaces (like heating circuit flow pipes). Use a suitable class of cable if there is any possibility of contact with parts at temperatures above 50°C.

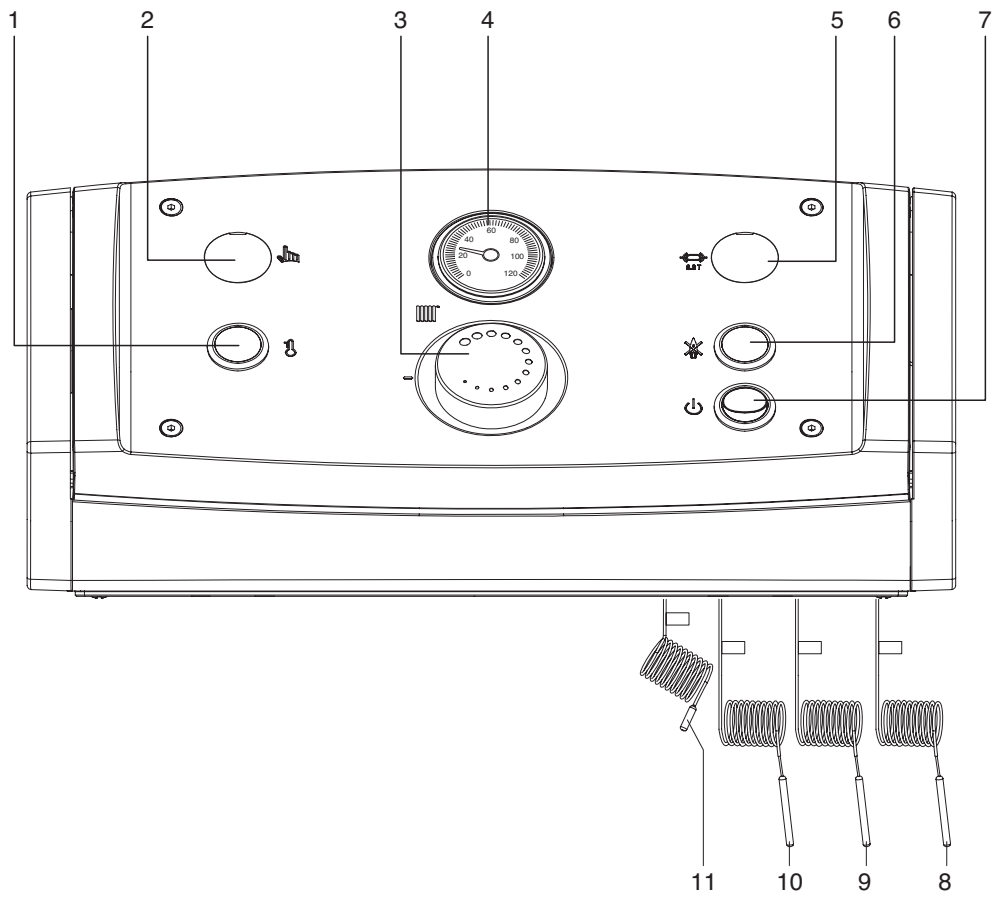
**The manufacturer declines all responsibility for damage caused by failing to ground the appliance adequately or by failure to respect the wiring diagrams provided in this manual.**



## POSITIONING THE SENSORS







- 1 - Overtemperature indicator
- 2 - Manual reset safety thermostat (110°C)
- 3 - Control thermostat (30-82°C)
- 4 - Boiler temperature gauge
- 5 - Fuse
- 6 - Burner lockout indicator
- 7 - Two pole ON/OFF switch
- 8 - Minimum temperature thermostat sensor (Tm) (accessible from inside)
- 9 - Safety thermostat sensor (TS)
- 10 - Control thermostat sensor (TR)
- 11- Boiler temperature gauge sensor (TeC)

**⚠** The cables for the TS, TR, TeC and Tm sensors must be routed out of the electric control panel and through the cable grommets in the boiler during installation.

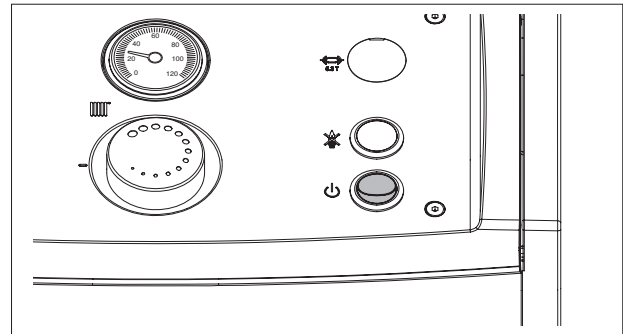
## DESCRIPTION OF FUNCTIONS

**idealtech PRIME** control panels are equipped with 3 approved electromechanical thermostats, a temperature gauge, a main power ON/OFF switch, function indicators and a protective fuse.

### Main control panel ON/OFF switch (⏻)

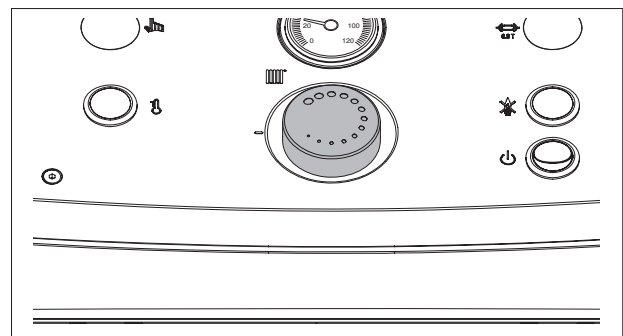
This switch connects power to all controlled devices and appliances.

⚠ A delayed action 6.3 A fuse is installed inside the control panel upstream from this switch (see wiring diagram).



### Control thermostat (|||||)

The control thermostat lets you adjust boiler temperature between 60 and 82°C. The recommended setting is around 70°C.

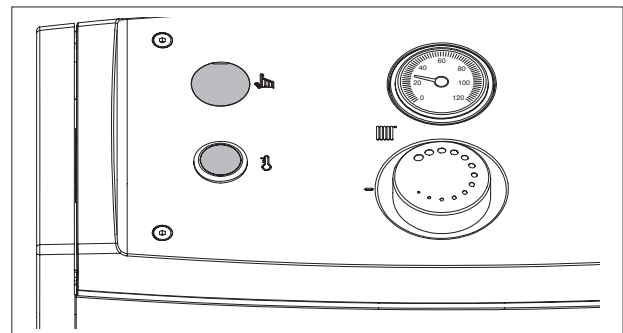


### Safety thermostat (TS)

The safety thermostat shuts down the burner if boiler temperature exceeds 110°C.

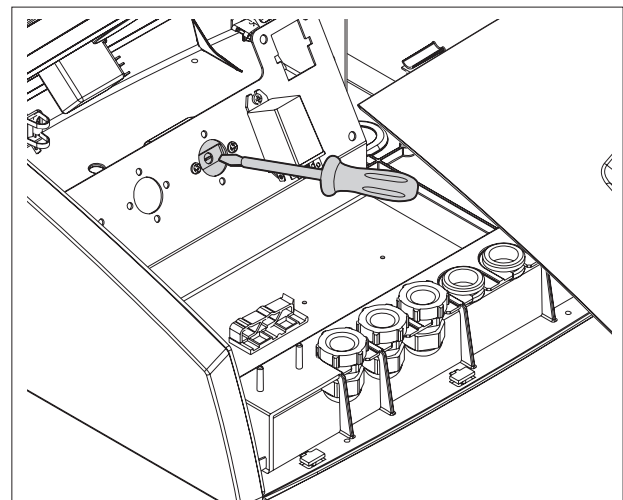
To restore normal functioning, remove the protective cover and press the button (⏻). Use a suitable tool if necessary.

⚠ If the safety thermostat (TS) shuts down the burner, the red warning light (ⓘ) comes on and any burner error signals on the burner controller are lost.



### Minimum temperature thermostat (Tm)

This thermostat prevents cold water from circulating and causing condensation inside the boiler. It is located inside the control panel, and is preset to 40°C. Adjustment requires a suitable tool and is reserved for personnel from Ideal Boilers Service Department.





## USEFUL INFORMATION

### SELLER:

Mr. ....

Address .....

tel. ....

### INSTALLER:

Mr. ....

Address .....

tel. ....

### TECHNICAL ASSISTANCE SERVICE:

Mr. ....

Address .....

tel. ....

### BOILER DETAILS

(From Data label):

Make .....

Type .....

Serial number .....

Date of initial start-up .....

### CONTROL PANEL DETAILS

(From product label):

Serial number .....

Lot .....

.....

.....

.....

.....

.....

.....

.....

.....

.....

.....

.....





## Technical Training

The Ideal Boilers Technical Training Centre offers a series of first class training courses for domestic, commercial and industrial heating installers, engineers and system specifiers. For details of courses please ring: ..... 01482 498 432

Ideal is a trademark of Ideal Boilers.

Registered Office

**Ideal Boilers Limited** National Avenue, Hull, HU5 4JB.

Telephone: 01482 492 251 Fax: 01482 448 858

Registered in England no. 322137.



**Ideal Boilers Limited** pursues a policy of continuing improvement in the design and performance of its products. The right is therefore reserved to vary specification without notice.

***Installer Support Helpline: 01482 498 376***  
***www.idealcommercialboilers.com***