

# **+ RETURN WATER TEMPERATURE CONTROL KIT INSTRUCTIONS**

## **EVOJET**

When replacing any part on this appliance, use only spare parts that you can be assured conform to the safety and performance specification that we require. Do not use reconditioned or copy parts that have not been clearly authorised by Ideal.

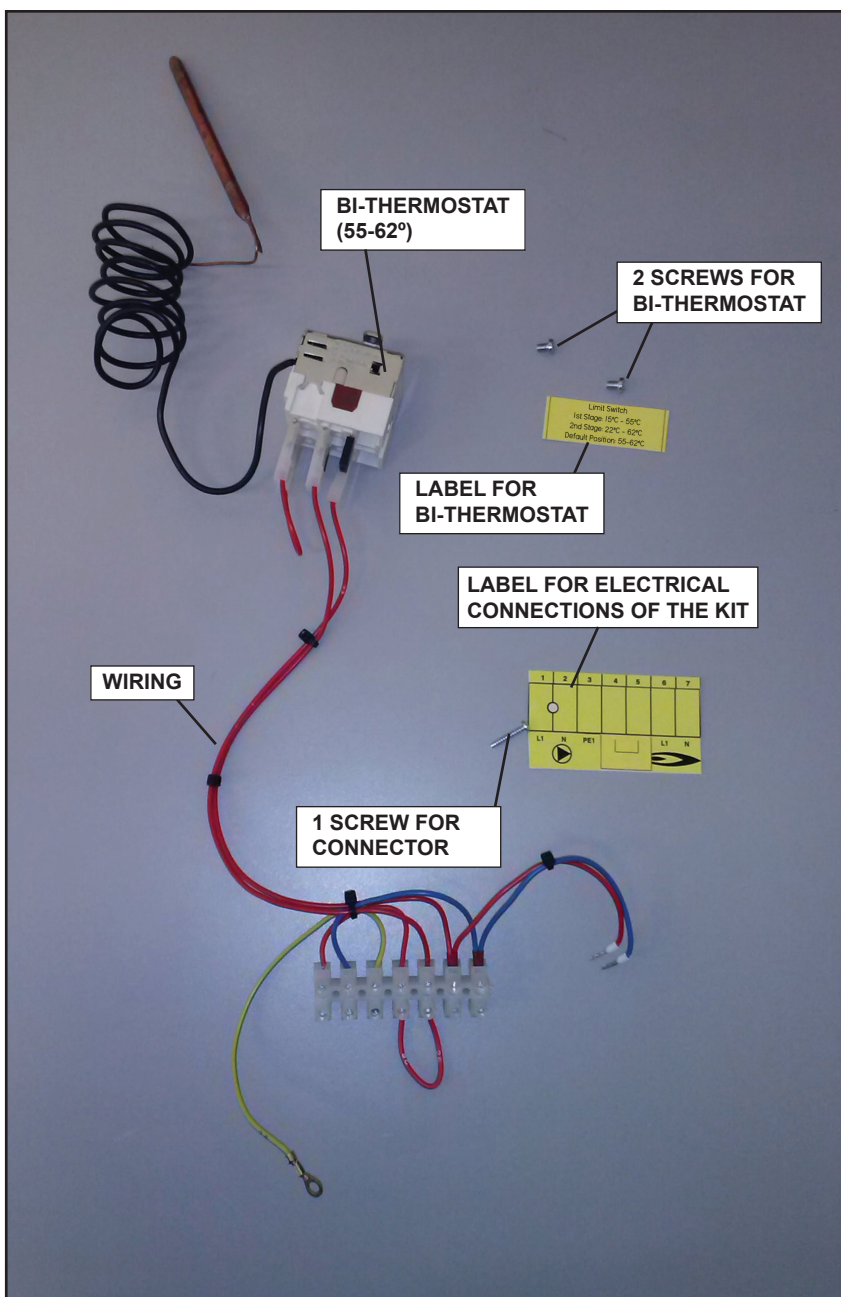
June 2016  
UIN 215770 A03



This Return Water Temperature Control Kit is suitable for use on the Control Panel:  
**IDEALTECH PRIME** for the **EVOJET** range of boilers.

This kit provides the control function to ensure that the return water temperature of the boiler does not fall below the specified temperature in normal operation. The kit controls a small by-pass (shunt) pump that should be installed as detailed in the Boiler Installation manual. This is required for when both light oil or dual fuel burners are fitted to the Evojet boiler.

## KIT CONTENTS

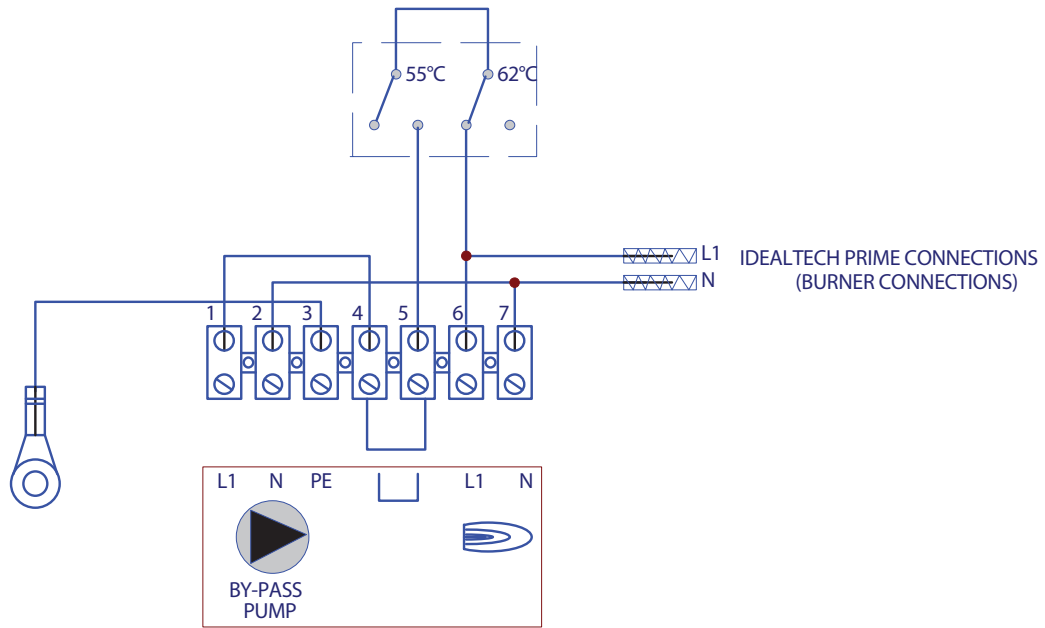


Note. the thermostat is a bi-thermostat that allows following function:

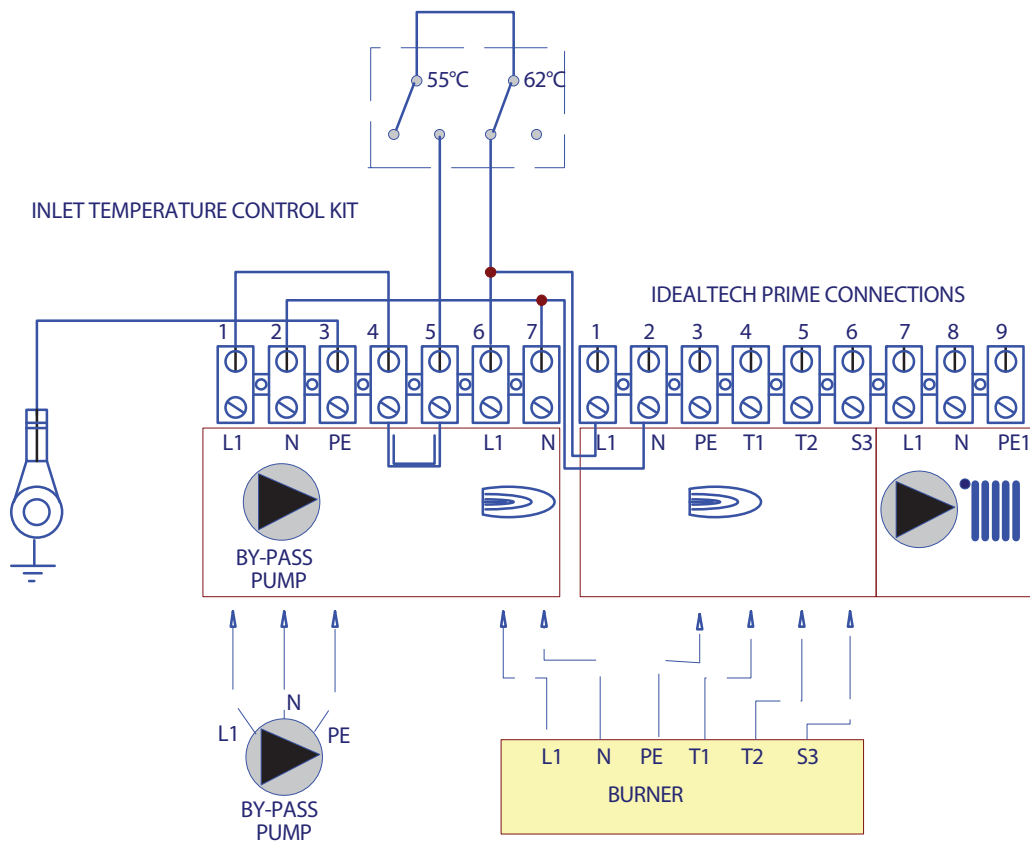
if  
 $55^{\circ}\text{C} < \text{Inlet Temperature} < 62^{\circ}\text{C}$   
then  
Bypass Pump = ON

**ELECTRICAL DRAWINGS OF THE KITS**

**RETURN WATER TEMPERATURE CONTROL KIT**



**ELECTRICAL DRAWINGS OF THE KITS FITTED INTO IDEALTECH PRIME**

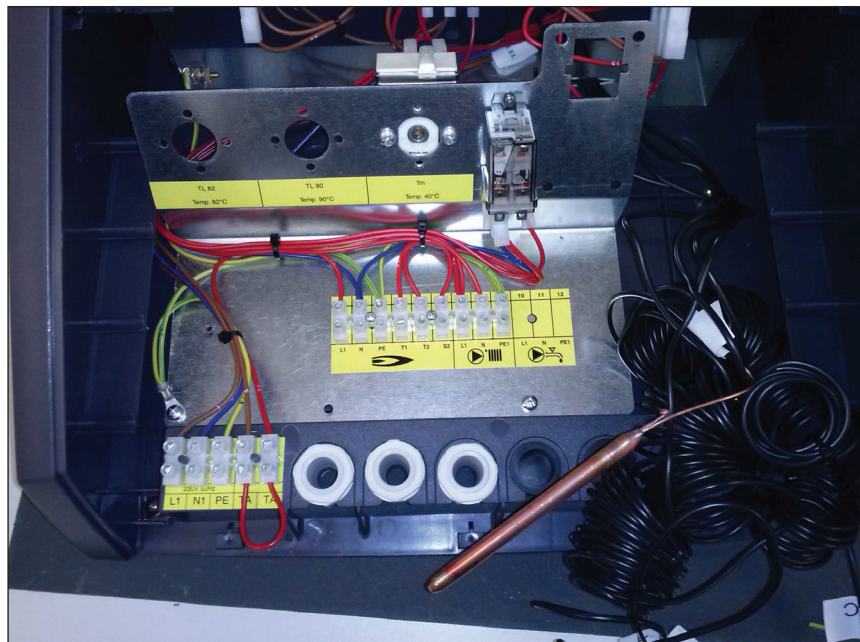


## INSTALLING THE RETURN WATER TEMPERATURE CONTROL KIT

Front of the IDEALTECH Prime Panel before installation of the Kit

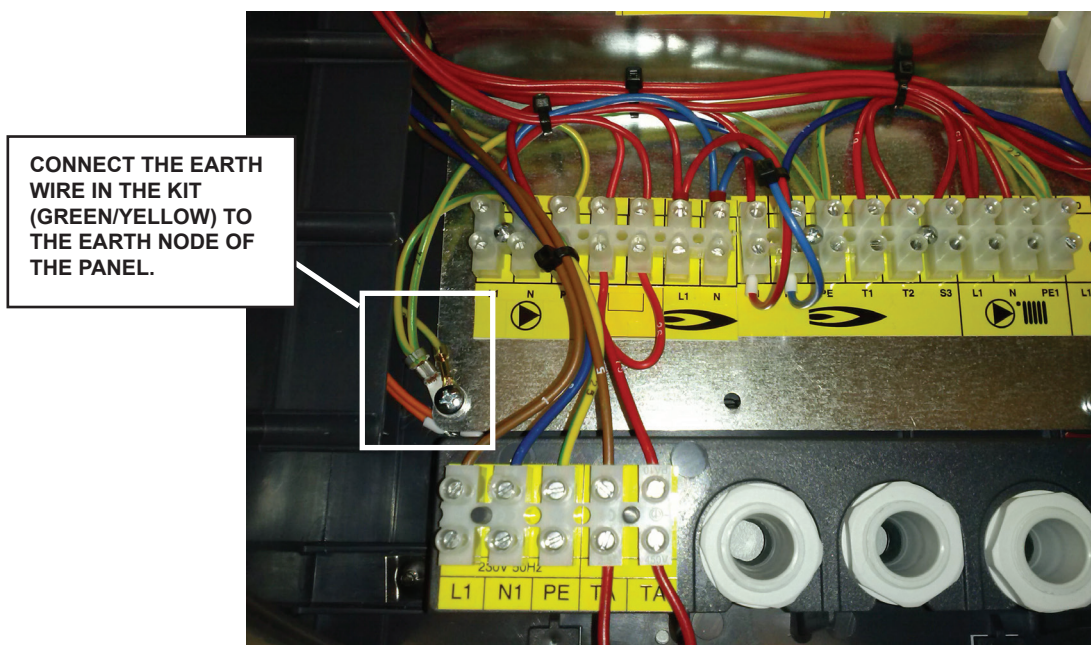
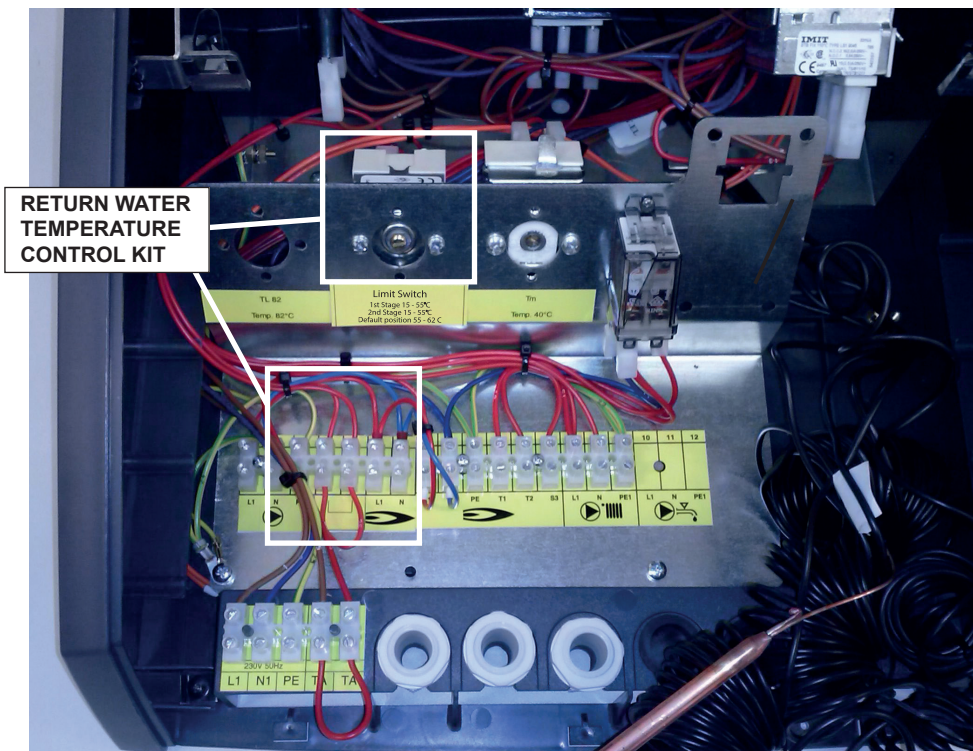


Inside the IdealTech Prime Panel before installation of the kit.





## INSTALLING THE RETURN WATER TEMPERATURE CONTROL KIT







### **Technical Training**

The Ideal Boilers Technical Training Centre offers a series of first class training courses for domestic, commercial and industrial heating installers, engineers and system specifiers. For details of courses please ring: ..... 01482 498 432

**Ideal Boilers Ltd.**, P.O. Box 103, National Ave, Kingston upon Hull, HU5 4JN. Telephone: 01482 492 251 Fax: 01482 448 858. Registration No. London 322 137.

**Ideal Boilers Ltd.** pursues a policy of continuing improvement in the design and performance of its products. The right is therefore reserved to vary specification without notice.



***Ideal Installer/Technical Helpline: 01482 498 376***  
***www.idealcommercialboilers.com***